

Polar Wire Products

Arctic Superflex Blue® Jumper Cables



Arctic Superflex Blue® Double Conductor Wire

Double Conductor Wire	1
Cable Construction	2
Jump Start Cables	4
J1283 Connectors	6
1/0 Gauge Cables	8
2 Gauge Cables	10
4 Gauge Cables	12
ATV/UTV Cables	14
Replacement Clamps	16
Accessories & Parts	17

FOR OVER 30 YEARS, Polar Wire has exclusively manufactured premier **Arctic Superflex Blue®** jumper cable systems. Quality built and geared for performance, our cables get you back up and running fast.

We know cold! Polar Wire cables have been put to use in some of the coldest climates on Earth. Proven in the harsh conditions of Alaska's North Slope, our rugged jumper cables just keep working.

Whether you use our jumper cable systems while enjoying the great outdoors, or as a reliable necessity for your business, you'll find them tough and dependable.

We custom build our jumper and jump start cable systems to your requirements. Contact us for your unique solutions.

Polar Wire Products

Office (907) 561-5955
 24/7 Fax (907) 561-4233
 Website www.polarwire.com
 Web Store store.polarwire.com

Please email us via the contact link at store.polarwire.com

©2024 Polar Wire Products, Inc. All Rights Reserved

Arctic Superflex Blue®

Arctic Superflex Blue® has been tested and used successfully for more than three decades in the harsh environment of Alaska's Arctic North Slope. Flexibility is achieved by combining finely stranded 100% copper conductors with a jacket resistant to the abuses of oil, gasoline, salt water, acids and chemicals.

Arctic Superflex Blue® cables are highly abrasion resistant and can be used in most 600 volt applications.



Arctic Superflex Blue®

Part Number	Wire Gauge	Stranding per Conductor
ASF-8X2	8 AWG	168/30
ASF-6X2	6 AWG	266/30
ASF-4X2	4 AWG	420/30
ASF-2X2	2 AWG	665/30
ASF-1/0X2	1/0 AWG	1064/30
ASF-3/0X2	3/0 AWG	1672/30



Polar Wire Products
 is the exclusive manufacturer of
Arctic Superflex Blue®

**Polarity stripe
 extruded into jacket**

Double Conductor Wire

ARCTIC SUPERFLEX BLUE®

Thermoplastic Elastomer Jacket

- Same jacket as **Arctic Ultraflex Blue®**
- Cold weather flexibility to -55°C (-67°F)
- High temperature performance to 105°C (221°F)
- Chemical, abrasion, water, and sunlight resistant
- Parallel bonded construction
- Polarity stripe extruded into jacket
- Tangle resistant and easy to handle

Copper Stranding

- Flexible Class K fine stranded 100% copper
- Built to the same UL/AWG specifications as **Arctic Ultraflex Blue®**
- **Exceeds** SAE standards

Applications

- Battery and jumper cables
- Wind and solar power systems
- Outboard motor leads
- Tow truck booster systems
- ATV and RV power cables
- Uninterrupted power supply systems (UPS)



-55°C TO 105°C

Size and Colors

- Available 8 AWG through 3/0 AWG
- Other sizes, custom colors and striping available on request—minimums apply

Typical Legend

1/0 AWG 2/C ARCTIC SUPERFLEX BLUE
-55C TO 105C VW-1 600 VOLTS OIL RESISTANT



Arctic Superflex Blue®
1/0 AWG
1064/30 UL Class K
strands per conductor

Custom colors
and striping
available



We use Arctic Superflex Blue® double conductor cable exclusively in our stock and custom jumper cable systems

- Stays flexible to -55°C (-67°F)
- 100% COPPER conductors—Absolutely NO ALUMINUM!
- Considerably more copper than standard auto jumper cables
- Highly abrasion and chemical resistant wire insulation
- Extruded polarity stripe for safety identification



Arctic Superflex Blue® Booster/Jumper Cables

ARCTIC SUPERFLEX BLUE® JUMPER CABLES

Arctic Superflex Blue® Jumper Cables and Systems

The Very Best Jumper Cables Available ANYWHERE!

Polar Wire **Jumper Cables and Systems** are made exclusively with **Arctic Superflex Blue®** cable for unmatched performance and durability. Our cables are ideal for personal to commercial applications.

Proven in the most extreme environments and sub-zero weather, our cables stay flexible in temperatures of -55°C to 105°C.

- **Extensively used and proven on Alaska's Arctic North Slope**
- **Stays flexible and PERFORMS in the coldest storm**
- **100% Copper Conductors**
- **Absolutely NO ALUMINUM!**
- **CONSIDERABLY more copper than standard automotive jumper cables**
- **Highly abrasion and chemical resistant jacket**
- **Extruded polarity stripe for safety**

PROUDLY
BUILT IN THE
WITH TOP QUALITY
AMERICAN MADE WIRE



Arctic Superflex Blue® jumper cables handle with exceptional ease and won't tangle or kink, even in extreme cold!



- Ideal for automotive, fleet and service applications
- Proven in extreme temperatures of -55°C to 105°C (-67°F to 221°F)
- Resistant to the abuses of oil, gas, acids, chemicals, salt water and sun
- Highly abrasion resistant
- Use in most 600V applications
- Built using UL/CSA Listed or Recognized parts and processes
- **Exceeds** SAE standards
- **LIFETIME LIMITED WARRANTY** on manufacturing and materials

Applications

Sizes 8, 6, 4, 2, 1/0, and 3/0 gauge, in various lengths and configurations:

8 and 6 AWG - light duty applications

- ATVs, UTVs, snow machines, motorcycles, scooters, floor scrubbers, personal watercraft

4 AWG - most auto/marine use

- Cars, pickups, diesels, marine engines

2 AWG - heavy equipment

- Trucks, tractors, light planes, most commercial applications

1/0 and 3/0 AWG - extreme duty

- Earth moving equipment, aircraft, extended distances

Configurations

Clamp to Clamp

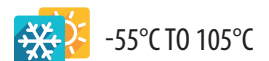
- High mobility and versatility

Harness to Clamp

- Ideal for utility vehicles

Harness to Harness

- For fleet vehicles



Arctic Superflex Blue® Jumper Cable Construction

Hands-On Construction—Quality-Checked at Every Step!

Built with top quality components and processes for long, trouble-free service

Our cables start with our **Arctic Superflex Blue®** Double Conductor Wire

- Flexible, tangle resistant, and easy to handle in deep cold to -55°C (-67°F)
- 100% copper Class K fine strand conductors
- High temperature performance to 105°C (221°F)
- Highly abrasion-resistant jacket stands up to oil, gasoline, salt water, acids, chemicals, sunlight
- Parallel bonded construction, extruded polarity stripe

100% Copper lugs, contacts and clamps

- Solid copper lugs are securely crimped to cable ends
- Heat shrink is applied to lugs, contacts, and cable to seal out dirt and corrosion and provide strain relief
- Heavy gauge copper clamps are bolted to cables for easy replacement in case of accidental damage

Harness Power Connectors

- Harness cables are fitted with impact resistant polycarbonate Lexan® power connectors
- Connectors feature silver-plated copper contacts and tempered 301 stainless steel contact springs
- Superior tolerance to extreme heat or cold
- High physical and dielectrical strength

Jump Start Connectors

- Heavy equipment cables are built with field serviceable SAE J1283 connectors
- 500 amps continuous, 2000 amps intermittent 30 seconds
- High impact ABS plastic housings
- Zinc coated terminals



1000A Dual Live Jaw
1/0 and 3/0 Ga
Cables



400A
2 and 4 Ga
Cables

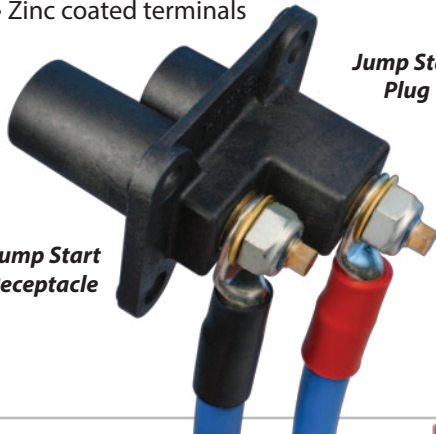


100A
8 and 6 Ga
Cables

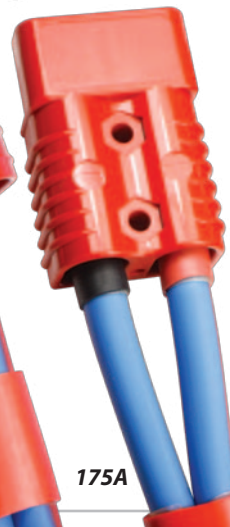


**Jump Start
Plug**

**Jump Start
Receptacle**



120A



350A



175A

ARCTIC SUPERFLEX BLUE® JUMPER CABLES

Arctic Superflex Blue® Heavy Equipment Jump Start Cables

110 GAUGE ARCTIC SUPERFLEX BLUE® JUMP START CABLES

Arctic Superflex Blue® Plug to Clamp Jump Start Cables

Built for Industry—Ideal for Earth Moving Equipment

- **Considerably** more copper than standard automotive jumper cables — NO aluminum
- 1/0 gauge **Jump Start Cables** are sized to meet heavy duty commercial and industrial requirements and standards
- Ideal for earth moving and off road machinery, mining, agriculture and construction equipment, auxiliary start systems
- **Arctic Superflex Blue®** cables are tough, flexible, and dependable, even in the most extreme weather
- Rated for -55°C to 105°C (-67°F to 221°F)
- Highly abrasion resistant jacket stands up to oil and gas, salt water, acids, chemicals, and sunlight
- Extruded polarity stripe won't wear off or fade away
- Built with high quality UL/CSA listed components and processes for reliable, lifelong performance
- 1000 Amp heavy gauge copper clamps transmit more current and outperform copper-plated clamps
- Clamps are insulated with rugged, full length overmolded PVC in red and black for polarity identification
- Braided copper bonding strap sends continuous current to both jaws for higher amperage
- Heavy spring pressure for strong connections
- Clamps are bolted on for easy replacement
- Heat shrink provides strain relief and seals out moisture, dirt and corrosion
- Meets or exceeds SAE J1283 Standards
- Manufactured exclusively by Polar Wire Products

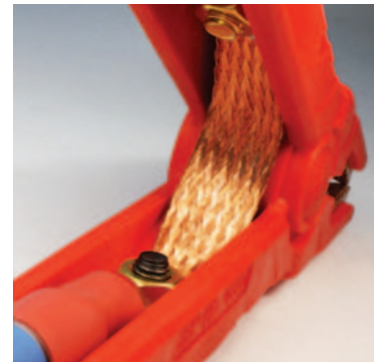


Plug to Clamp

1000 Amp
Dual Live Jaw
Clamps



Copper bonding strap sends continuous current to both jaws for higher amperage



1/0 Gauge J1283 Plug to Clamp Cables

Part Number	Configuration	Length	Clamps
JSP-1/0-15C	Plug to Clamp	15'	1000A
JSP-1/0-30C	Plug to Clamp	30'	1000A

Plug to Clamp and Plug to Plug Jump Start Cables include a durable 13.5" x 3.5" nylon canvas bag with extra wide zippered opening, side pocket, and sturdy webbing handles



Arctic Superflex Blue® Plug to Plug Jump Start Cables

High Ampacity J1283 Jump Start Connectors and Arctic Superflex Blue® for Outstanding All-Weather Performance and Long, Dependable Service Life

Fully compatible with the J1283 connectors used by top manufacturers including Caterpillar, Komatsu, and CASE

- Sized to meet heavy duty commercial and industrial requirements and standards
- Made with 1/0 AWG premium Arctic grade **Arctic Superflex Blue®**
- Tough, flexible, and reliable in the most challenging conditions
- Highly abrasion-resistant insulation stands up to oil, gas, salt water, acids, chemicals, and sunlight
- -55°C to 105°C (-67°F to 221°F)
- Extruded polarity stripe
- High ampacity SAE J1283 Jump Start Plugs are rated 500A continuous, 2000A intermittent 30 seconds
- Plug connector mates with SAE J1283 Receptacle
- Connector design ensures proper connection and polarity
- Zinc coated copper terminals
- High impact ABS plastic housing
- Meets or exceeds SAE J1283 performance standards



Plug to Plug



-55°C TO 105°C

1/0 Gauge J1283 Plug to Plug Cables

Part Number	Configuration	Length
JSP-1/0-15P	Plug to Plug	15'
JSP-1/0-30P	Plug to Plug	30'

PROUDLY BUILT IN THE USA
WITH TOP QUALITY AMERICAN MADE WIRE

Let us custom build your Jump Start cables!

Fit your custom **Arctic Superflex Blue®** Heavy Equipment Jump Start Cables with copper lugs, power connectors, dust covers, butt splices, clamps, or blunt cut the ends, and specify the length. We build to your requirements. Fast turnaround. Call us today!



1/0 GAUGE ARCTIC SUPERFLEX BLUE® JUMP START CABLES

SAE J1283 Jump Start Mechanical Connectors

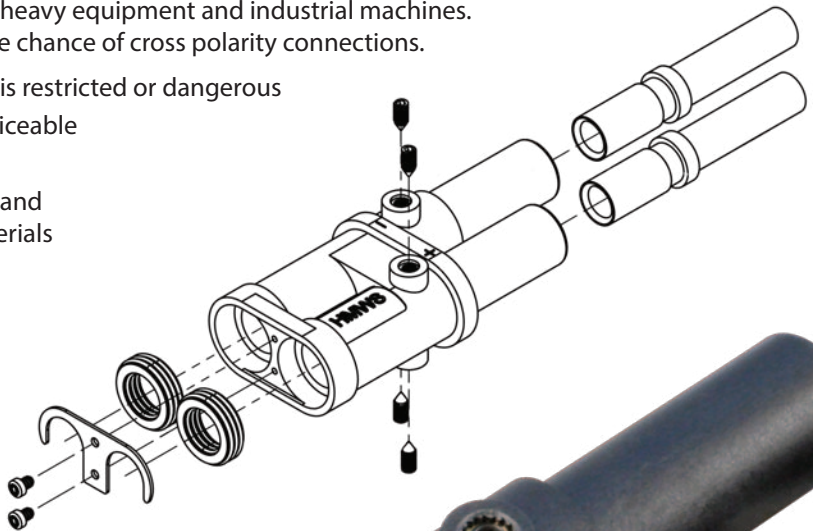
JUMP START MECHANICAL CONNECTORS

SAE J1283 Jump Start Mechanical Plug Connector

One of the **HIGHEST AMPACITY RATED** Connectors **ON THE PLANET!**
500 Amps Continuous, 2000 Amps Intermittent 30 Seconds

Heavy duty, high capacity **SAE J1283 Jump Start Connectors** provide secure electrical connections for charging or starting heavy equipment and industrial machines. The special plug shape eliminates the chance of cross polarity connections.

- Ideal for use where terminal access is restricted or dangerous
- Mechanically applied and field serviceable
- Keyed to ensure correct polarity
- Design reduces chance of sparking and possible ignition of flammable materials
- Zinc coated copper terminals
- High impact ABS plastic housing
- Meets or exceeds SAE J1283 performance standards



JS-PLUG
J1283 Plug
Connector



Plug

**Fully compatible
with the J1283 connectors
used by top manufacturers including
Caterpillar, Komatsu, and CASE**





SAE J1283 Jump Start Mechanical Receptacle

JUMP START MECHANICAL CONNECTORS

- No arbitrary limits on cable length or direction of attachment
- Simple inventory—just a few parts work for every Jump Start application

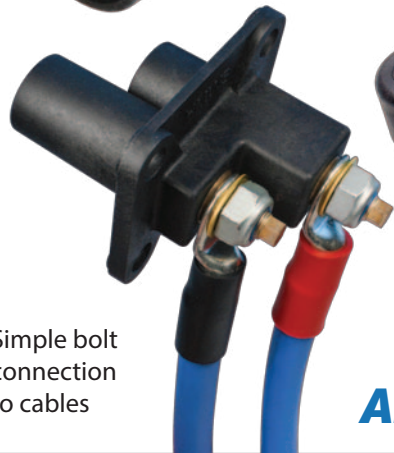
JS-KIT-TERM
J1283 Receptacle,
Cap, and Bracket



Receptacle



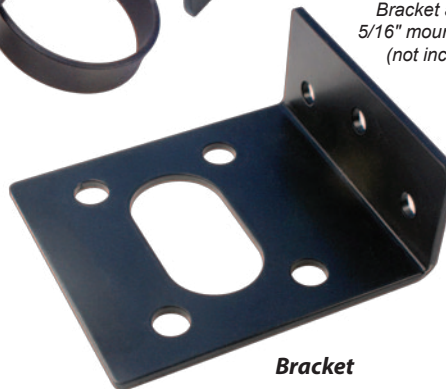
Bracket accepts
5/16" mounting bolts
(not included)



- Simple bolt connection to cables



Cap



Bracket

Arctic Ultraflex Blue® Eye to Eye Cables

Fit your J1283 Receptacle with Polar Wire's 1/0 AWG **Arctic Ultraflex Blue®** Eye-to-Eye Cables for superior conductivity and cold-weather flexibility. 100% copper fine stranded conductors and a tough insulation that stands up to abrasion, chemicals, water and sunlight. Adhesive heat shrink seals the cable ends against the penetration of corrosive elements and provides color coding for polarity identification.

- Heavy duty 3/8" tin-plated copper lugs
- Heat shrink seals out corrosion

Negative – Blue cable, black shrink

Positive – Blue cable, red shrink

Arctic Ultraflex Blue® cables carry our limited **LIFETIME WARRANTY** on manufacturing and materials

Specify the right length for your application!



Arctic Superflex Blue® 1/0 Gauge Booster Cables

110 GAUGE ARCTIC SUPERFLEX BLUE® JUMPER CABLES

1/0 Gauge Arctic Superflex Blue® Clamp to Clamp Cables

Unmatched Performance and Durability

Fast, Reliable Starts in the Coldest Weather

- Our cables contain **considerably** more copper than standard automobile jumper cables
- **Arctic Superflex Blue®** 1/0 gauge jumper cables are made for extreme duty use—mining equipment, small aircraft, extended distances
- Stays super flexible and easy to handle, even in deep cold
- Highly abrasion-resistant jacket stands up to oil, gas, salt, chemicals, sunlight
- Heavy gauge copper clamps with rugged PVC overmolded insulation
- Braided copper bonding strap sends continuous current to both jaws for higher amperage
- Heat shrink provides strain relief and corrosion protection
- Built with UL/CSA listed parts and processes
- **Exceeds** SAE standards



-55°C TO 105°C

1000 Amp
Dual Live Jaw
Clamps

Extruded
polarity stripe

1/0 Gauge Clamp to Clamp Cables

Part Number	Length	Clamps
JC-1/0-20	20'	1000A
JC-1/0-25	25'	1000A
JC-1/0-30	30'	1000A



Our jumper cable clamps are bolted on—not riveted—for easy replacement, and cable ends are heat shrink sealed for a lifetime of trouble-free performance

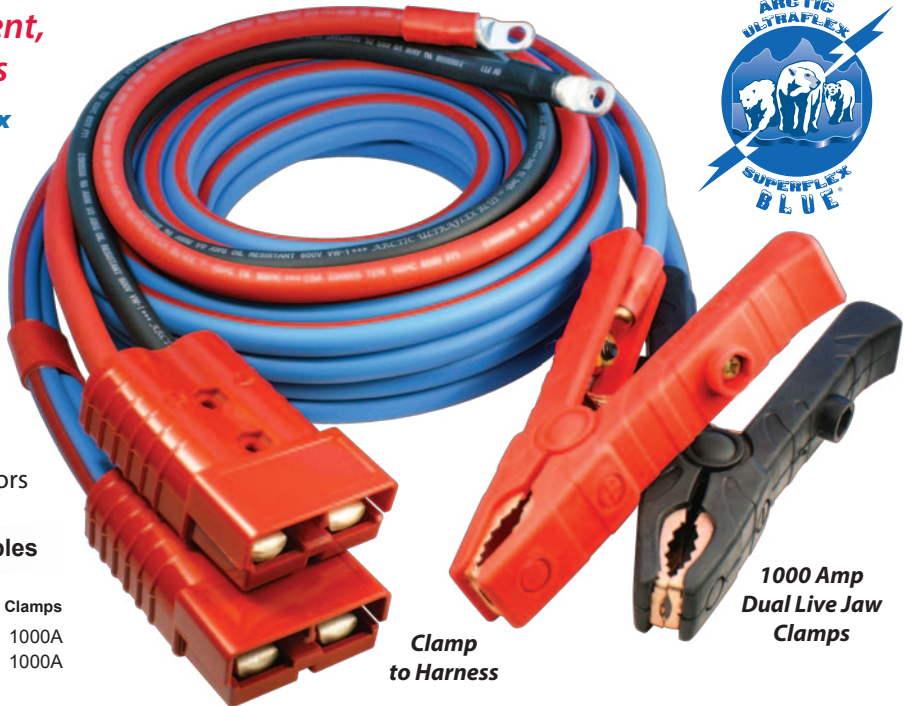
Polar Wire 1/0 gauge cables include a durable 13.5" x 3.5" nylon canvas bag for easy carrying and convenient storage. Extra wide zippered opening, side pocket, sturdy nylon webbing handles



1/0 Gauge Arctic Superflex Blue® Clamp to Harness Cables

**Great for Heavy Equipment,
Tow Trucks, Fleet Services**

- Tough, flexible **Arctic Superflex Blue®** double conductor wire
- **Arctic Ultraflex Blue®** leads
- 1000 Amp heavy copper clamps
- Braided copper bonding strap energizes both jaws
- Impact-resistant polycarbonate power connectors mate securely
- 3/8" heavy duty copper lugs
- Heat shrink seals out corrosion
- Replaceable clamps and connectors



1/0 Gauge Clamp to Harness Cables

Part Number	Length	Harness	Connector	Clamps
JC-1/0-254	25'	4'	350A	1000A
JC-1/0-304	30'	4'	350A	1000A

Clamp
to Harness

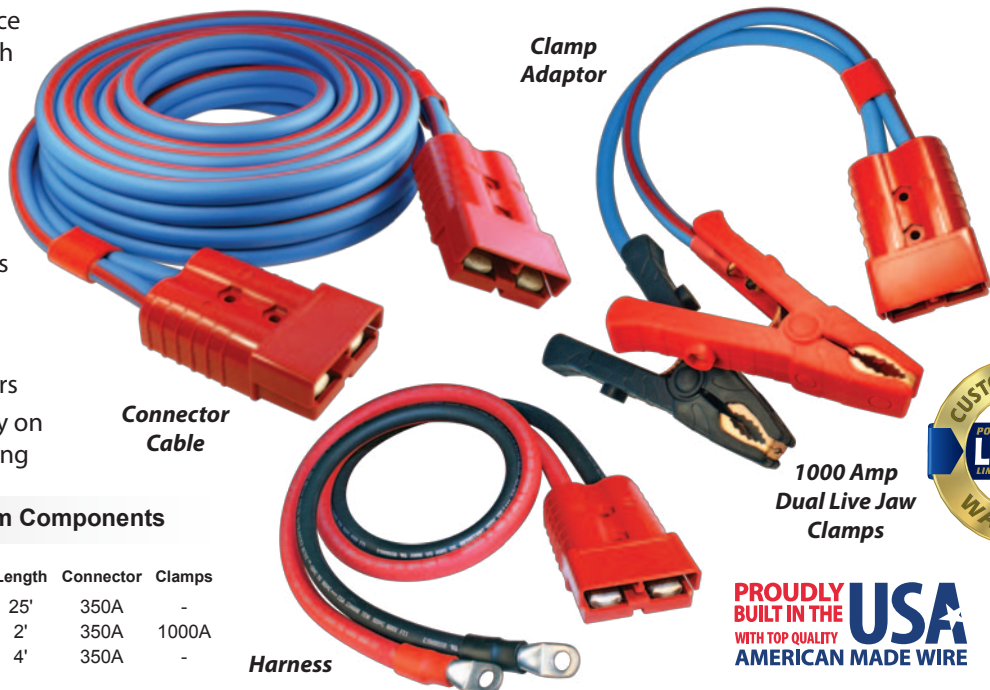
1000 Amp
Dual Live Jaw
Clamps

1/0 Gauge Arctic Superflex Blue® Harness Components

Expand your fleet and service vehicle booster systems with Polar Wire modular harness system components.

Fit connector cables with harness or clamp adaptors, or add a clamp adaptor to our clamp-to-harness cables for on-the-fly conversion.

- 1000 Amp copper clamps
- Impact-resistant connectors
- **LIFETIME** Limited Warranty on materials and manufacturing



Connector
Cable

Clamp
Adaptor

1000 Amp
Dual Live Jaw
Clamps

Harness

1/0 Gauge Harness System Components

Part Number	Component	Length	Connector	Clamps
JC-1/0-25DD	Connector Cable	25'	350A	-
JC-1/0-2DC	Clamp Adaptor	2'	350A	1000A
JC-1/0-4D	Harness	4'	350A	-



PROUDLY BUILT IN THE USA
WITH TOP QUALITY
AMERICAN MADE WIRE

Arctic Superflex Blue® 2 Gauge Booster Cables

2 GAUGE ARCTIC SUPERFLEX BLUE® JUMPER CABLES

2 Gauge Arctic Superflex Blue® Clamp to Clamp Cables

Powerful — Durable — Reliable — Cost Effective

100% COPPER Clamps, Conductors and Lugs—Absolutely NO ALUMINUM!

PROUDLY
BUILT IN THE **USA**
WITH TOP QUALITY
AMERICAN MADE WIRE

- Our cables contain **considerably** more copper than standard automobile jumper cables
- **Arctic Superflex Blue®** 2 gauge jumper cables are ideal for most commercial uses—trucks, tractors, light planes
- Easily repaired
- Built for long life
- Super flexible and easy to handle even in deep cold
- Highly abrasion-resistant jacket stands up to oil, gas, salt, acids, chemicals, sun
- Copper clamps transmit more current and outperform copper-plated clamps
- Heat shrink provides strain relief and protection from dirt and corrosion
- Extruded polarity stripe won't wear off
- Built with UL/CSA listed parts and processes
- **Exceeds** SAE standards



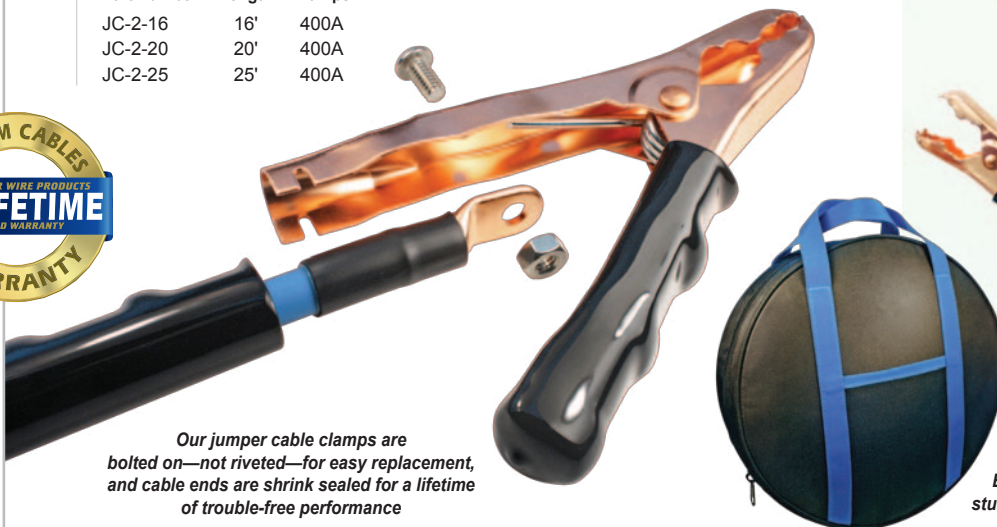
Clamp to
Clamp

2 Gauge Clamp to Clamp Cables



-55°C TO 105°C

Part Number	Length	Clamps
JC-2-16	16'	400A
JC-2-20	20'	400A
JC-2-25	25'	400A



Our jumper cable clamps are bolted on—not riveted—for easy replacement, and cable ends are shrink sealed for a lifetime of trouble-free performance

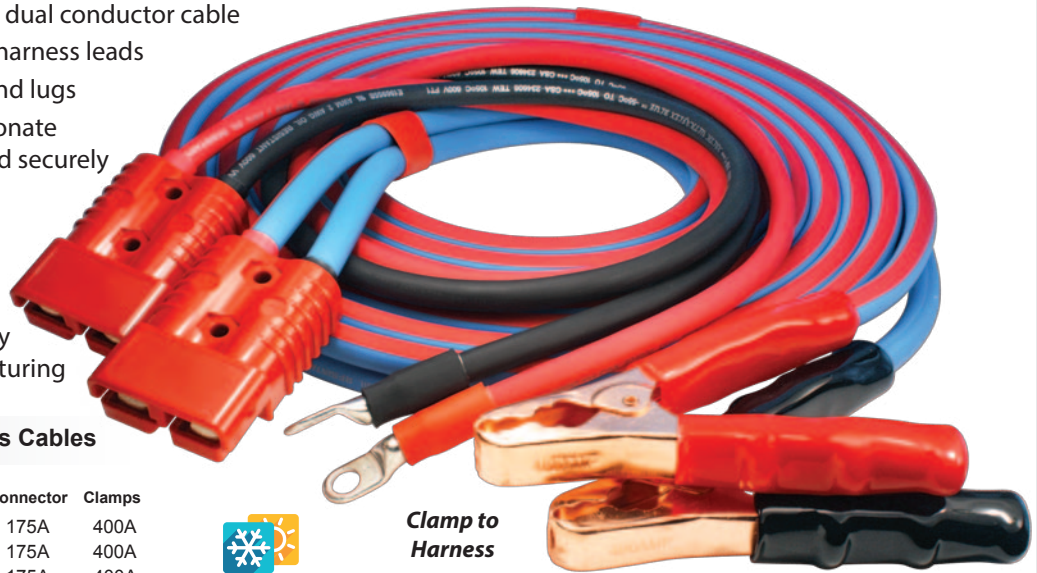


Polar Wire 2 gauge Jumper Cables come with a durable 13" x 3" nylon canvas bag for easy carrying and convenient storage. Extra wide zippered opening, side pocket, sturdy nylon webbing handles

2 Gauge Arctic Superflex Blue® Clamp to Harness Cables

Equip Your Service Trucks with the Finest Jumper Cables ANYWHERE!

- Arctic Superflex Blue® dual conductor cable
- Arctic Ultraflex Blue® harness leads
- 400 amp copper clamps and lugs
- Impact-resistant polycarbonate connectors mate easily and securely
- Heat shrink relieves strain and seals out corrosion
- Stays tangle-free and flexible in extreme cold
- LIFETIME Limited Warranty on materials and manufacturing



2 Gauge Clamp to Harness Cables

Part Number	Length	Harness	Connector	Clamps
JC-2-164	16'	4'	175A	400A
JC-2-204	20'	4'	175A	400A
JC-2-254	25'	4'	175A	400A
JC-2-304	30'	4'	175A	400A



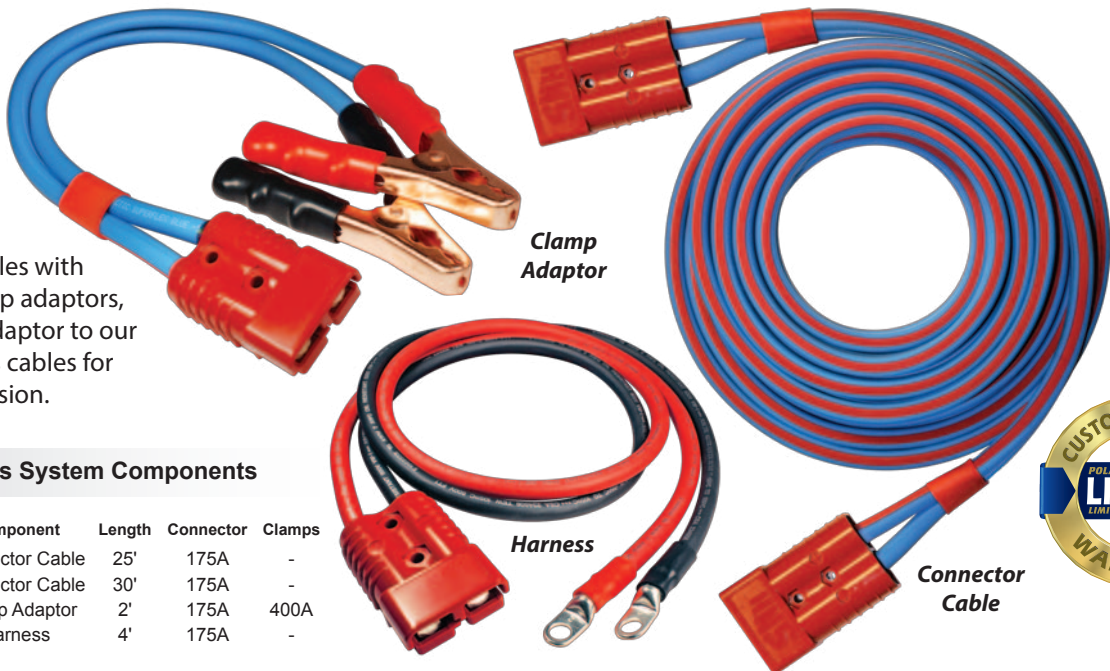
-55°C TO 105°C

Clamp to
Harness

2 Gauge Arctic Superflex Blue® Harness Components

Versatile modular components make expanding your fleet and service vehicle booster systems cost effective.

Fit connector cables with harness and clamp adaptors, or add a clamp adaptor to our clamp-to-harness cables for on-the-fly conversion.



2 Gauge Harness System Components

Part Number	Component	Length	Connector	Clamps
JC-2-25DD	Connector Cable	25'	175A	-
JC-2-30DD	Connector Cable	30'	175A	-
JC-2-2DC	Clamp Adaptor	2'	175A	400A
JC-2-4D	Harness	4'	175A	-



Arctic Superflex Blue® 4 Gauge Booster Cables

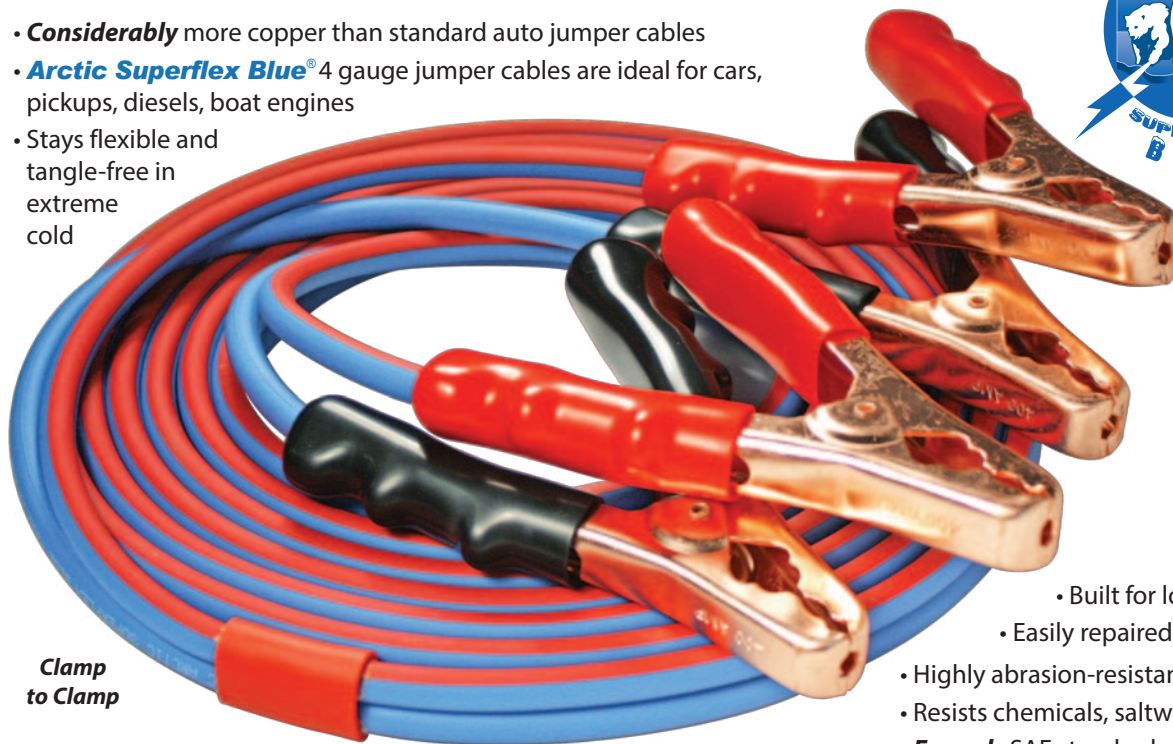
4 GAUGE ARCTIC SUPERFLEX BLUE® JUMPER CABLES

4 Gauge Arctic Superflex Blue® Clamp to Clamp Cables

Top Quality Jumper Cables for Your Fleet—or Your Family!

100% COPPER Clamps and Conductors—Absolutely NO ALUMINUM!

- **Considerably** more copper than standard auto jumper cables
- **Arctic Superflex Blue®** 4 gauge jumper cables are ideal for cars, pickups, diesels, boat engines
- Stays flexible and tangle-free in extreme cold



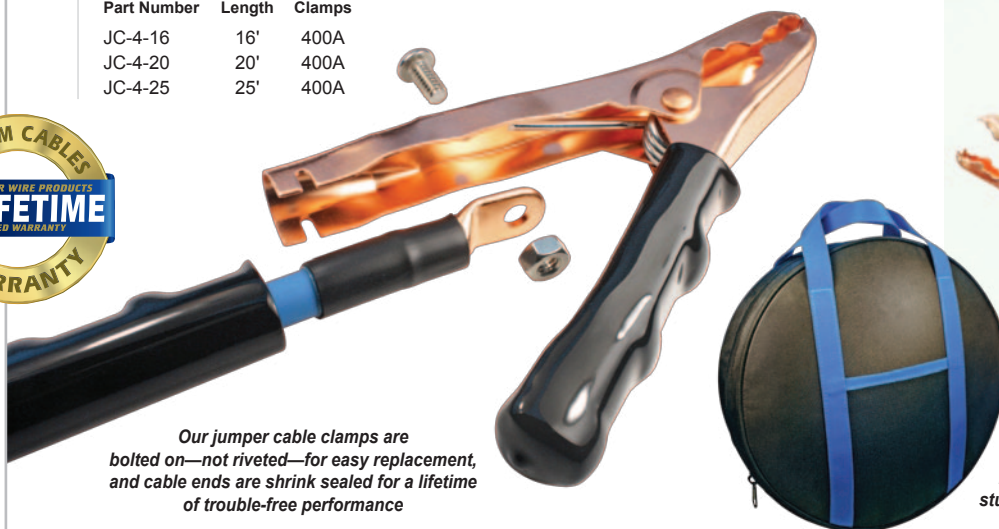
Clamp to Clamp

- Built for long life
- Easily repaired if needed
- Highly abrasion-resistant insulation
- Resists chemicals, saltwater, sun
- **Exceeds** SAE standards

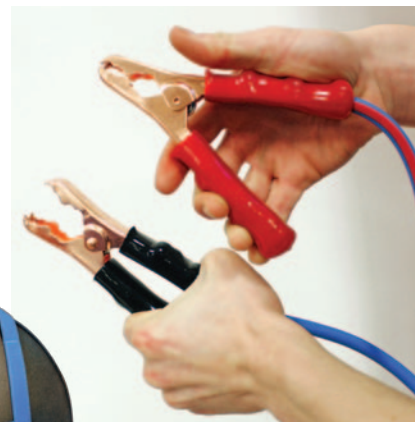
4 Gauge Clamp to Clamp Cables



Part Number	Length	Clamps
JC-4-16	16'	400A
JC-4-20	20'	400A
JC-4-25	25'	400A



Our jumper cable clamps are bolted on—not riveted—for easy replacement, and cable ends are shrink sealed for a lifetime of trouble-free performance



Polar Wire 4 gauge Jumper Cables come with a durable 13" x 3" nylon canvas bag for easy carrying and convenient storage. Extra wide zippered opening, side pocket, sturdy nylon webbing handles.

4 Gauge Arctic Superflex Blue® Clamp to Harness Cables

**Cold Weather RELIABLE—
Keep Your Vehicles ON THE ROAD!**

Ideal for Fleet and Utility Vehicles

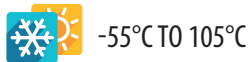
- Arctic Superflex Blue® parallel bonded double conductor cable
- Arctic Ultraflex Blue® red and black harness leads
- 400 amp copper clamps and tinned copper lugs
- Impact-resistant polycarbonate connectors mate easily, securely
- **LIFETIME** Limited Warranty on materials and manufacturing



Clamp to Harness

4 Gauge Clamp to Harness Cables

Part Number	Length	Harness	Connector	Clamps
JC-4-164	16'	4'	175A	400A
JC-4-204	20'	4'	175A	400A
JC-4-254	25'	4'	175A	400A



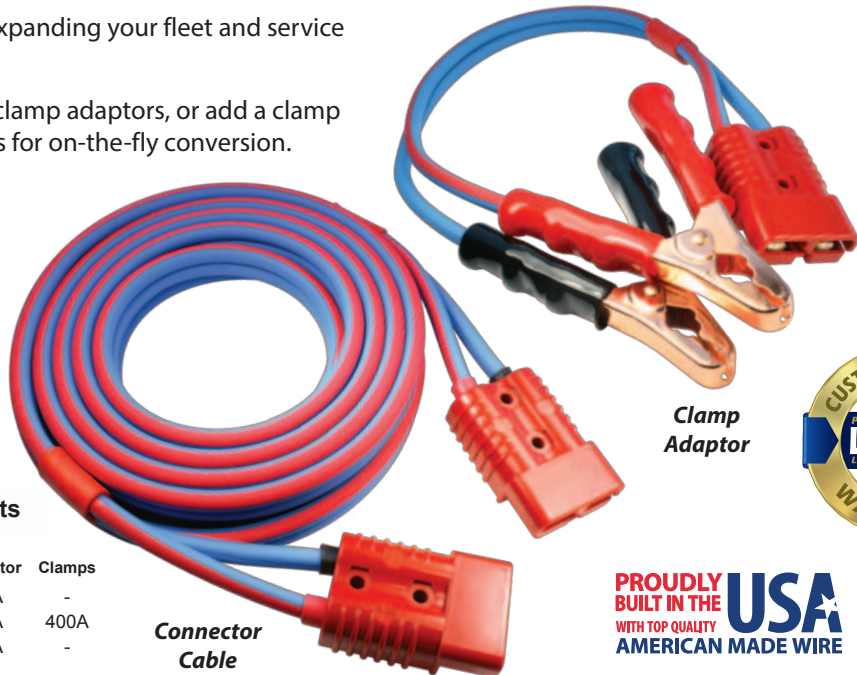
4 Gauge Arctic Superflex Blue® Harness Components

Versatile modular components make expanding your fleet and service vehicle booster systems cost effective.

Fit connector cables with harness and clamp adaptors, or add a clamp adaptor to our clamp-to-harness cables for on-the-fly conversion.



Harness



Clamp Adaptor

Connector Cable

4 Gauge Harness System Components

Part Number	Component	Length	Connector	Clamps
JC-4-25DD	Connector Cable	25'	175A	-
JC-4-2DC	Clamp Adaptor	2'	175A	400A
JC-4-4D	Harness	4'	175A	-



PROUDLY BUILT IN THE USA
WITH TOP QUALITY AMERICAN MADE WIRE

Arctic Superflex Blue® 6 and 8 Gauge ATV/UTV Booster Cables

6 GAUGE ARCTIC SUPERFLEX BLUE® ATVIUTV JUMPER CABLES

6 Gauge Arctic Superflex Blue® ATV/UTV Jumper Cables

Built to Keep Your Toys Going!

**MADE WITH TOP QUALITY AMERICAN WIRE —
PROVEN IN REMOTE ALASKA**

Our 6 and 8 gauge **ATV/UTV Jumper Cables** are made exclusively with **Arctic Superflex Blue®** fine stranded twin wire for unmatched flexibility and durability. Our ATV/UTV jumpers are sized for the smaller batteries used in recreational vehicles and similar equipment.

Strong

- Fast, reliable starts — no wasted time
- 100% copper conductors — NO ALUMINUM!
- Full-length insulated heavy gauge copper clamps
- Copper clamps and lugs deliver more current
- Unbeatable extreme cold flexibility to -55°C (-67°F)

Durable

- Tough, flexible jacket resists abrasion, oil, gas, salt water, acids, chemicals, and sunlight
- Heat shrink relieves strain and seals out corrosion
- Extruded polarity stripe won't wear off or fade
- Built to the same rigorous quality standards as our full size **Arctic Superflex Blue®** cables

Cost Effective

- Designed for LONG LIFE
- Bolted-on, replaceable clamps
- **LIFETIME** Limited Warranty



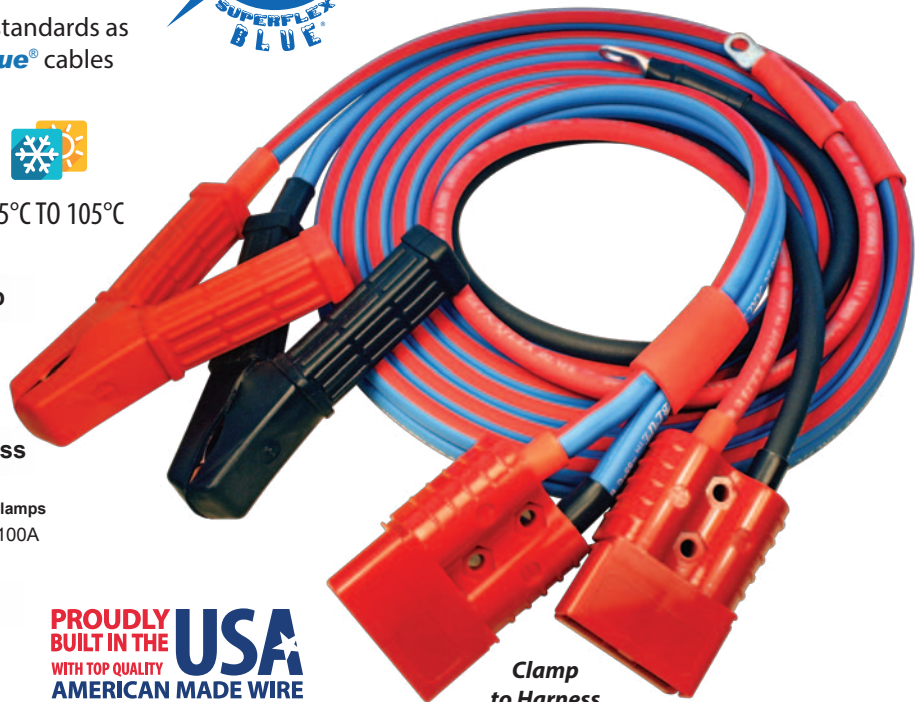
-55°C TO 105°C



Clamp to Clamp



Harness



Clamp to Harness

6 Gauge ATV/UTV Clamp to Clamp

Part Number	Length	Clamps
JC-6-12	12'	100A

6 Gauge ATV/UTV Clamp to Harness

Part Number	Length	Harness	Connector	Clamps
JC-6-102	10'	2'	120A	100A

6 Gauge ATV/UTV Harness

Part Number	Harness	Connector
JC-6-2D	2'	120A

PROUDLY BUILT IN THE USA
WITH TOP QUALITY AMERICAN MADE WIRE





8 Gauge Arctic Superflex Blue® ATV/UTV Jumper Cables

100% Copper Conductors — Absolutely NO ALUMINUM!

Sized for the smaller batteries in ATVs, UTVs, motorcycles, scooters, personal watercraft, snowmachines, floor scrubbers, etc.



Clamp to Clamp

Harness

Clamp to Harness



-55°C TO 105°C

Bolt harness onto hard-to-reach batteries for easy, instant access

8 Gauge ATV/UTV Clamp to Clamp

Part Number	Length	Clamps
JC-8-8	8'	100A

8 Gauge ATV/UTV Clamp to Harness

Part Number	Length	Harness	Connector	Clamps
JC-8-61	6'	1'	50A	100A

8 Gauge ATV/UTV Harness

Part Number	Harness	Connector
JC-8-1D	1'	50A
JC-8-2D	2'	50A



ATV/UTV Jumpers include a sturdy 8" x 2" nylon canvas carrying bag
Extra wide zippered opening, webbing handles



8 GAUGE ARCTIC SUPERFLEX BLUE® ATV/UTV JUMPER CABLES



Jumper Cable Clamps Accessories and Parts

REPLACEMENT JUMPER CABLE CLAMPS

Replacement Jumper Cable Clamps

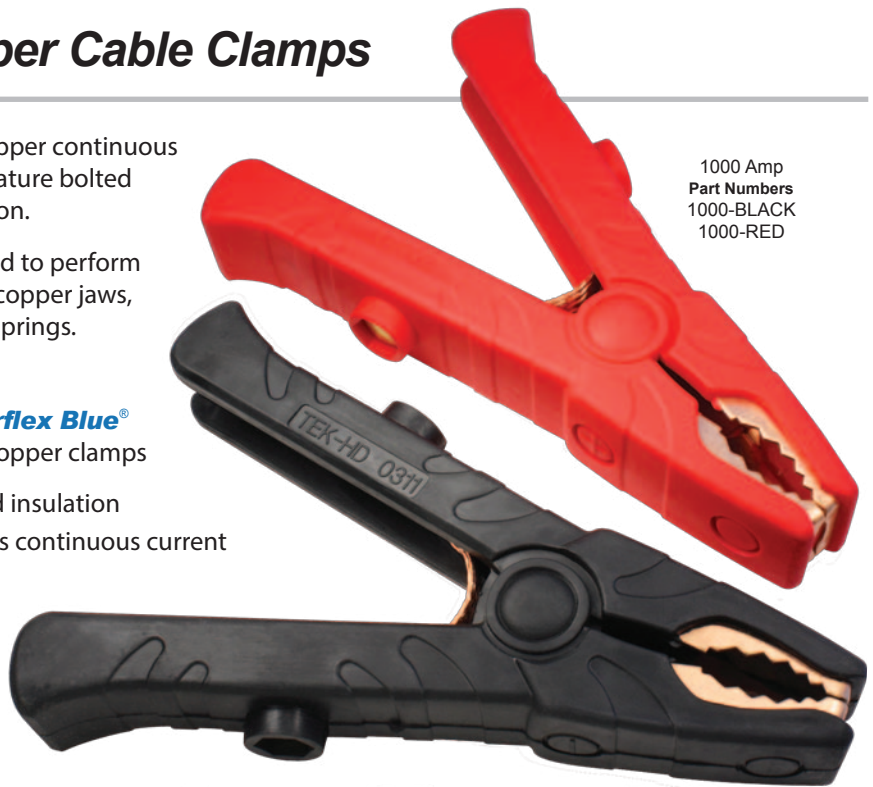
Commercial quality, heavy gauge copper continuous duty rated **Jumper Cable Clamps** feature bolted connections for fast, secure installation.

Our replacement clamps are designed to perform and manufactured to last with thick copper jaws, durable insulation, and strong steel springs.

1000 Amp Dual Live Jaw

We fit our 1/0 and 3/0 **Arctic Superflex Blue**® jumper cables with these powerful copper clamps

- Rugged PVC full length overmolded insulation
- Braided copper bonding strap sends continuous current to both jaws for higher amperage
- Heavy spring pressure for strong, secure connections
- Rated to 90°C (194°F)
- 7 1/2" length



1000 Amp
Part Numbers
1000-BLACK
1000-RED



400 Amp
Part Numbers
400-BLACK
400-RED

400 Amp

We use these top quality copper clamps on our **Arctic Superflex Blue**® 2 and 4 gauge jumper cables

- Insulating vinyl handles
- Strong steel springs for solid connections
- 6" length



100 Amp
Part Numbers
100-BLACK
100-RED

100 Amp

Polar Wire's 8 and 6 gauge **Arctic Superflex Blue**® ATV/UTV jumper cables are made with these sturdy, fully insulated copper clamps.

- Full length vinyl insulation
- Heavy steel springs clamp tightly
- 4 1/2" length

Jumper Cable Bags

Store your **Arctic Superflex Blue®** Jumper Cables neatly coiled and ready for use in our rugged cable bags.

- Durable nylon canvas
- Sturdy webbing handles
- Extra wide zippered opening

X-Large
13.5" x 4.5"
with Side Pocket
Part Number JC-BAG-XL
Fits 2 and 1/0 gauge
Arctic Superflex Blue®
jumper cables up to 30 ft



Medium 10" x 2.5"
Part Number JC-BAG-MED
Fits 6 and 8 gauge
Arctic Superflex Blue®
jumper cables



Large 13" x 3" with Side Pocket
Part Number JC-BAG-L
Fits 4 to 2 gauge
Arctic Superflex Blue®
jumper cables up to 25 ft



Small 8" x 2"
Part Number JC-BAG-SM
Fits 8 gauge
Arctic Superflex Blue®
jumper cables



Protective Power Connector Covers

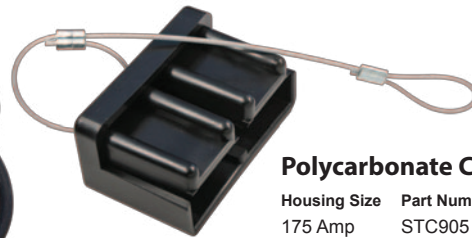
Rubber Cover

Housing Size	Part Number
BLACK	
350 Amp	STC902-BLK
175 Amp	STC903-BLK
50 Amp	STC904-BLK
RED	
350 Amp	STC902-RED
175 Amp	STC903-RED
50 Amp	STC904-RED



Polycarbonate Cover

Housing Size	Part Number
175 Amp	STC905
350 Amp	STC906



Terminals and Connectors



Cam Lock Connectors
400A, 150A



Plated Copper Lugs
1/2", 3/8", 5/16" Stud
1/0, 2, 4, 6, 8 Gauge



Power Connectors
350A, 175A,
120A, 50A



J1283 Connectors
Plug, Receptacle
Cap, Bracket

Available at store.polarwire.com

7941 Brayton Drive, Anchorage, Alaska • (907) 561-5955

www.polarwire.com

